

Pentax PU934

300-dpi

Continuous-Form Laser Print Engine

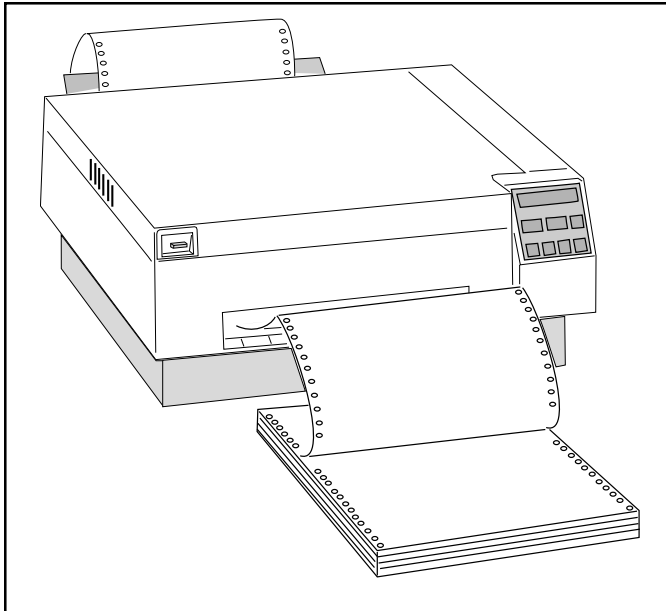
The PU934 laser print engine features 24-page-per-minute speed, high toner capacity, a user-serviceable fuser assembly, longer life components and a reversible drive system to reduce forms waste.

High speed, use of fanfold media (3" to 33" length), quick warmup time, and quiet operation make it ideal for all office environments. These print engines are designed for high reliability and ease of use.

Serviceability is designed in to minimize cost and repair time. User maintenance requirements are also minimal.

Features:

- 24 pages-per-minute speed (1584 lines per minute) continuous throughput (3590 cps @ 17 cpi)
- 300-dpi resolution
- Prints on continuous fanfold paper or label stock up to 10" wide (adjustable from 4" to 10")
- Desktop size (460mm x 527mm x 248mm)
- Reversible drive reduces forms waste
- Straight-through paper path
- 8000-page toner capacity
- Quiet operation, <55 dbA
- Slide-out controller design
- 30,000-page OPC life
- FDD/HDD bays (1" form factor)
- User-removeable fuser for easy maintenance
- Universal power supply to reduce OEM inventory requirements
- 1 Year Limited Warranty
- Design life of 5 years or 3 million copies



PENTAX®

PU934 Laser Print Engine

Specifications:

| | | | |
|--|---|--|--|
| Speed: | Up to 24ppm (1584 lines per minute), 3590 cps @ 17 cpi | Humidity: | 20-80% RH |
| Media Type: | <ul style="list-style-type: none">• 16-42 lb continuous fanfold paper up to 10" wide.• Carefully chosen matrix-on label stock | Dimensions: | W: 460 mm (18.11") H: 248 mm (9.77") D: 527 mm (20.74") |
| Paper Width: | 3.5" to 9-1/5" pin-to-pin | Weight: | 23 kg (50.1 lb) |
| Paper Length: | 3" to 33" in 1/8" or 1/6" increments | User-Serviceable Items*: | Toner Capacity: 8,000 pages @ 5% density (black) Waste Toner Container: 8,000 pages Felt Wiper: 8,000 pages OPC Cartridge: 30,000 pages Developer Unit: 100,000 pages Ozone Filter: 100,000 pages |
| Print Method: | Electrophotographic (diode laser) | * Based on 20 lb bond fanfold paper - other media may change these estimates. | |
| Photosensitive Material: | OPC (organic photoconductor) | User-Replaceable Unit: | Fuser: 300,000 pages |
| Printing Resolution: | 300 x 300 dpi | Certifications: | CISPR-22 Class B* EN50082-1:1994 compliant* FDA/CDRH 21CFR compliant* IEC 825 compliant CSA 950/NRTL-C (recognized component) (UL 1950)* EN60950 (TUV) (recognized component)* |
| Fusing Method: | Heat and Pressure | * tested with Pentax PJ993A test controller. OEM must receive certification with their own controller and user's manual. | |
| Warm-up: | 3 minutes after power on 15 seconds warm | Service Life: | 5 years or 3,000,000 copies |
| First Print: | <20 seconds from warm <30 seconds from standby | Warranty: | Engine - 1 year** Depot service available On-site service available through national service providers. Post-warranty service contracts available. |
| Input Port Cutouts: | 2 font/IC card bays 2 FDD/HDD 3.5"x1" disk drive bays Controller/I/O bay | ** Fuser wear parts excluded A page is defined as one 8.5" x 11" sheet of 20-lb continuous form computer stock. | |
| Keypad/Display - Driven by OEM Controller: | <ul style="list-style-type: none">• 16x2 Alphanumeric (ASCII) Display• Ready, On-line, and Data Indicators• On-line, Form Feed, Reset, Menu, Store, and (up arrow/down arrow) keys. | | |
| Electrical Requirements: | 100-120/220-240 VAC @ 50-60Hz "Universal" | | |
| Controller Power Available: | +5V @ 10A (max) +12V @ 750 mA (max) -12V @ 250mA (max) | | |
| Noise Level: | <55 dbA | | |
| Operating Environment: | Temperature: 10-32 degrees C (50-90 degrees F) | | |

PENTAX USA, Inc.

600 12th Street, Golden, CO 80401 USA
Telephone: (303) 460-1600 • Fax: (303) 460-1628
Internet: www.pentaxtech.com

6070-PRN, 3/04 - Specifications subject to change without notice.
© 1996-2004 Pentax USA. All Rights Reserved. Printed in U.S.A.